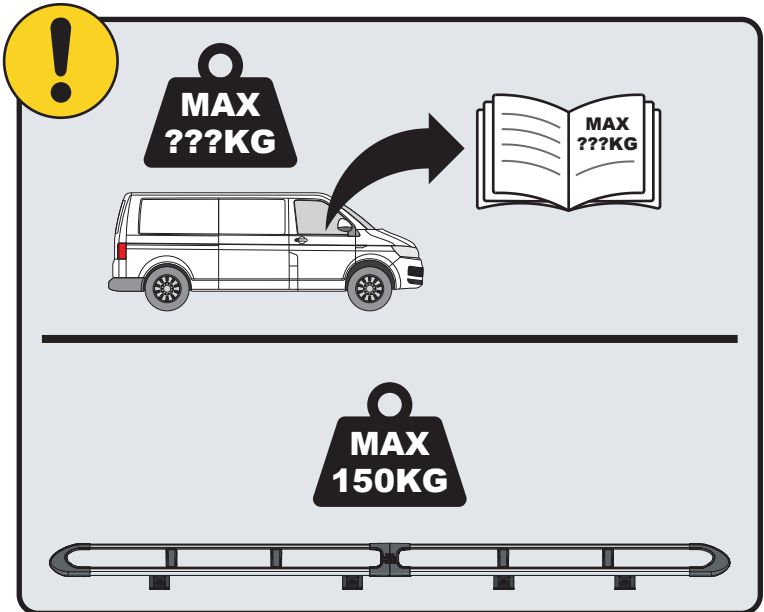
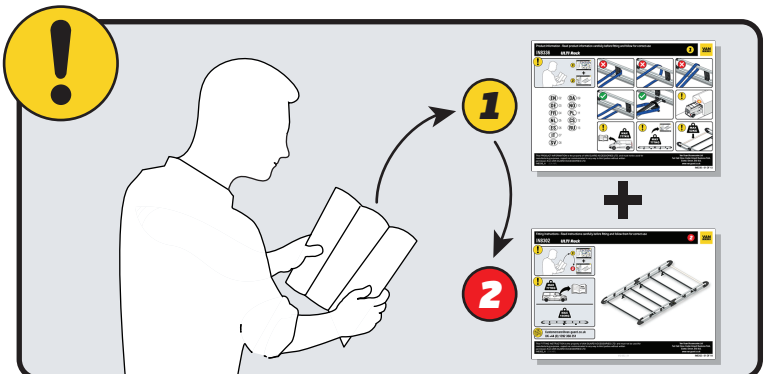


IN8278

ULTI Rack+



Customercare@van-guard.co.uk
UK +44 (0) 1392 368 351

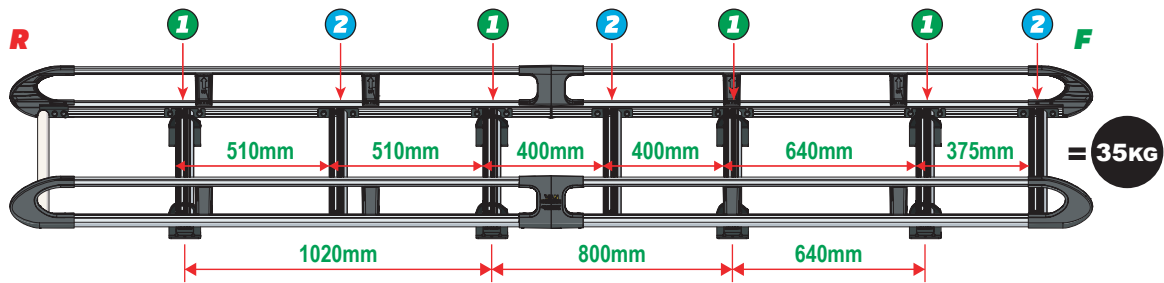
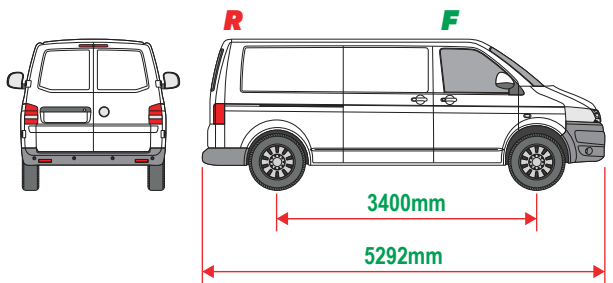


This FITTING INSTRUCTION is the property of VAN GUARD ACCESSORIES LTD. and must not be used for manufacturing purposes, copied nor communicated in any way to third parties without written permission from VAN GUARD ACCESSORIES LTD.
IN8278_B (CN:00356)

Van Guard Accessories Ltd
Fair Oak Close, Exeter Airport Business Park,
Exeter, Devon, EX5 2UL
www.van-guard.co.uk

VGUR-207

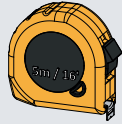
Volkswagen T5: 2002-2015
Volkswagen T6: 2015 on
L2H1 (LWB)
Twin Rear Doors



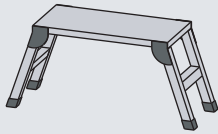
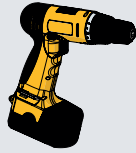
SUPPLIED COMPONENTS - CHECK ALL PARTS ARE PRESENT AND CORRECT BEFORE PROCEEDING (1 OF 2)

TOOLS REQUIRED

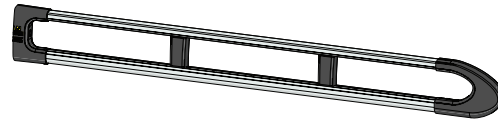
10MM X1



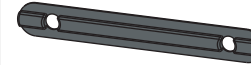
13MM X1



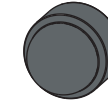
AS3545 X2
(3400 / A)



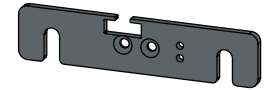
MA6118 X14



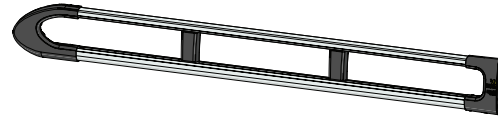
FX4241 X32



ME1622 X3



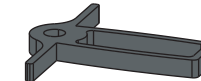
AS3544 X2
(3400 / B)



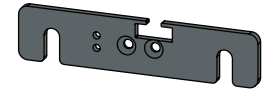
FX4008 X1



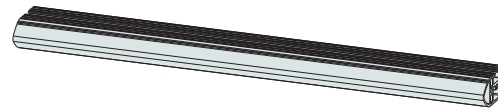
MA6145 X1



ME1623 X3



ME1627 X7
(1354mm)



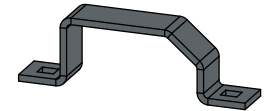
FX4001 X2
(M8X40)



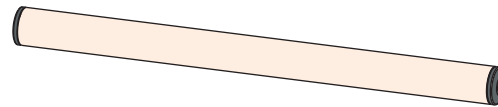
FX4235 X28
(M5X25)



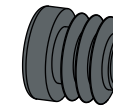
ME0203 X8



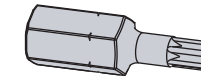
AS3159 X1
(1340mm)



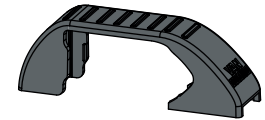
MA6007 X4



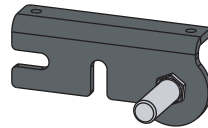
FX4248 X1
(T25)



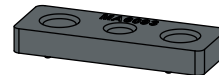
MA6065 X8



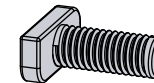
AS3590 X1



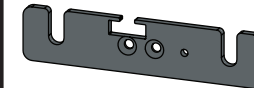
MA6093 X14



FX4239 X32
(M8X20)



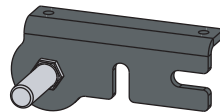
ME1620 X4



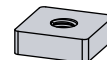
FX4016 X16
(M6)



AS3591 X1



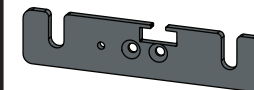
ME0316 X14



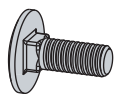
FX4240 X32
(M8)



ME1621 X4

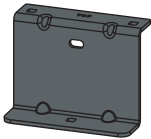


FX4042 X16
(M6X16)



SUPPLIED COMPONENTS - CHECK ALL PARTS ARE PRESENT AND CORRECT BEFORE PROCEEDING (2 OF 2)

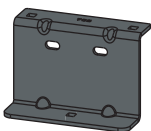
ME0707 X4



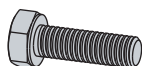
FX4014 X8



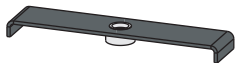
ME0708 X4



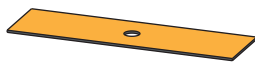
FX4026 X8
(M6X20)



AS3162 X8



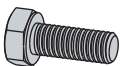
MA6018 X8



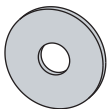
FX4010 X8
(M6)



FX4012 X8
(M6X16)



FX4013 X8
(M6)



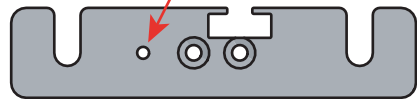
01

1L



X4

1R



X4



2L



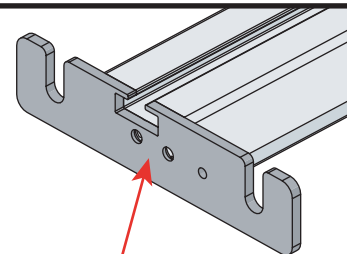
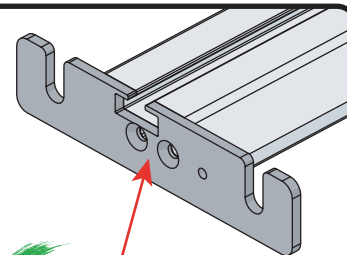
X3

2R



X3

02



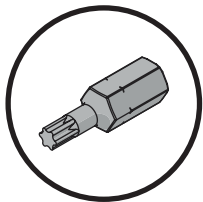
03

01

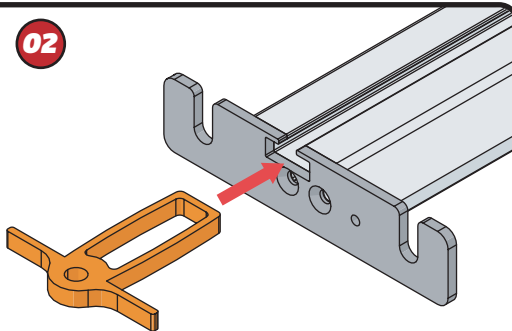
FX4248



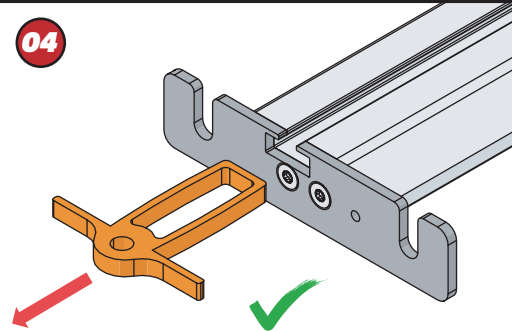
+



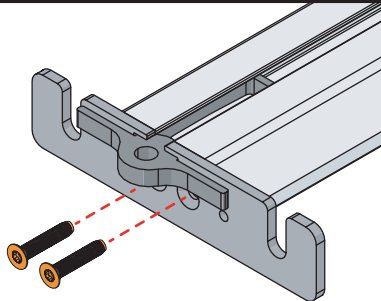
02



04



03

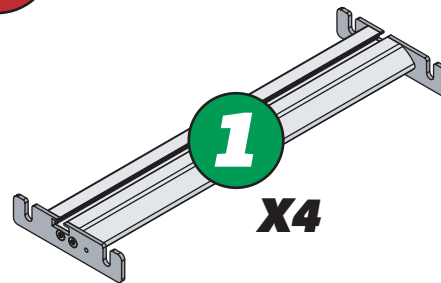


11Nm

04

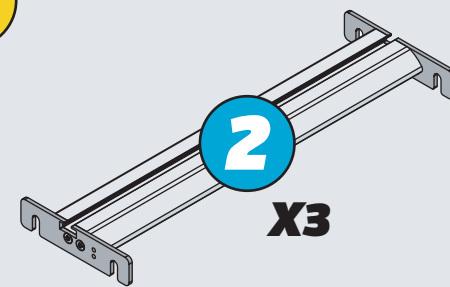


1



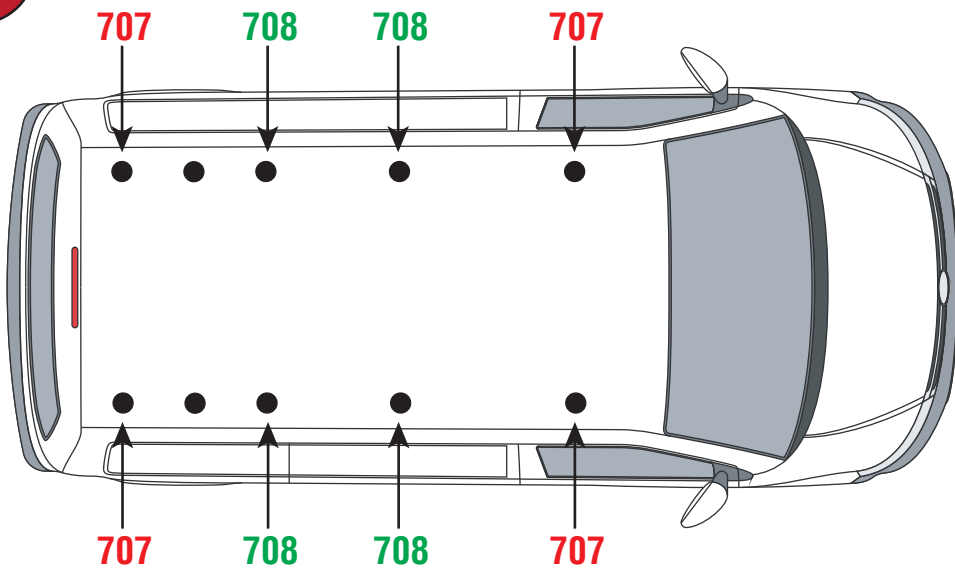
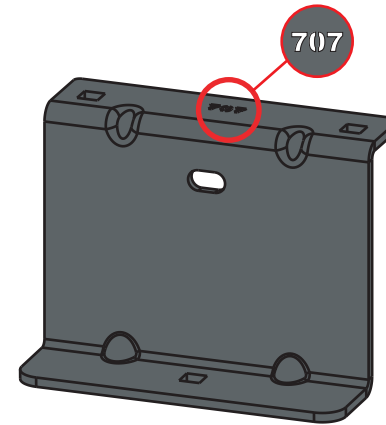
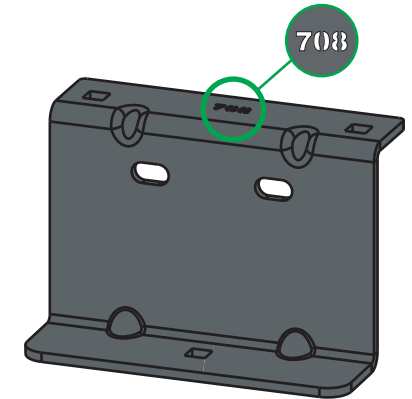
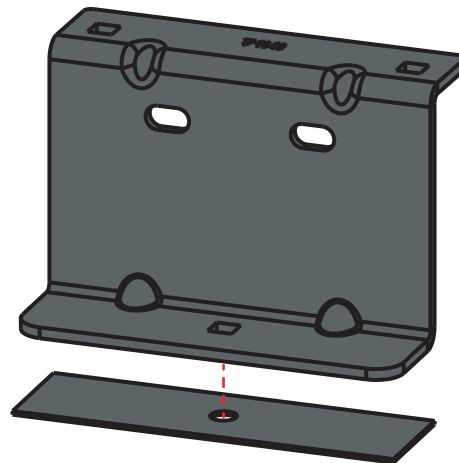
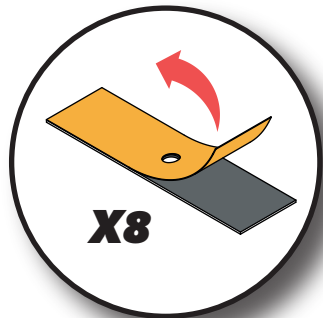
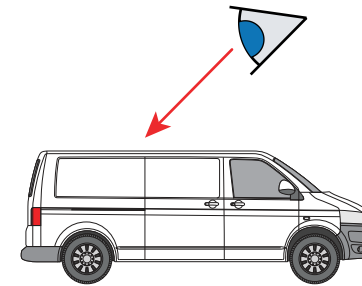
X4

2



X3



05**707****708****06****07**

THREADED INSERTS

08 09

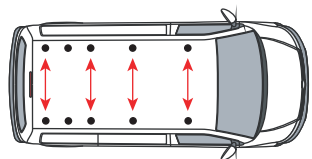
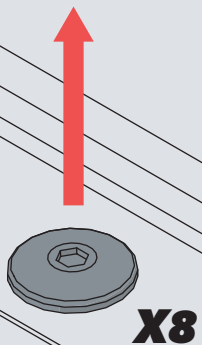
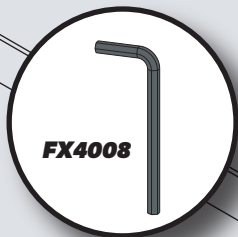
ROOF PREPERATION KIT (T-TRACK)

10 11

EN - STICK GASKETS TO ALL BRACKETS
 DE - KLEBEN SIE DIE DICHTUNG AN ALLEN HALTERUNGEN
 FR - COUSSINETS ADHÉSIFS À TOUS LES SUPPORTS
 NL - PLAK PAKKING OP ALLE BEUGELS
 ES - PEGA LAS ALMOHADILLAS A TODOS LOS SOPORTES
 IT - ADESIVI GUARNIZIONI A TUTTE LE STAFFE

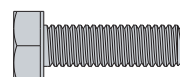
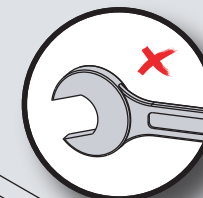
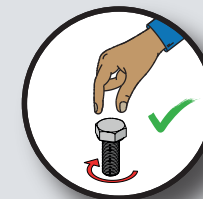
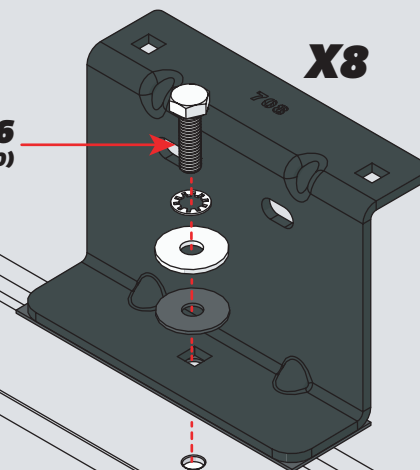
SV - FÄST GUMMI PÅ ALLA FÄSTEN
 DA - KLÆB GUMMI PÅ ALLE BESLAG
 NO - PLIST GUMMI PÅ ALLE BRAKKETTER
 PL - NAKLEJ USZCZELKI DO WSZYSTKICH WSPORNIKÓW
 CS - PŘILEPTE TĚSNĚNÍ NA VŠECHNY DRŽÁKY

08

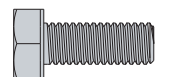


09

FX4026
(M6X20)



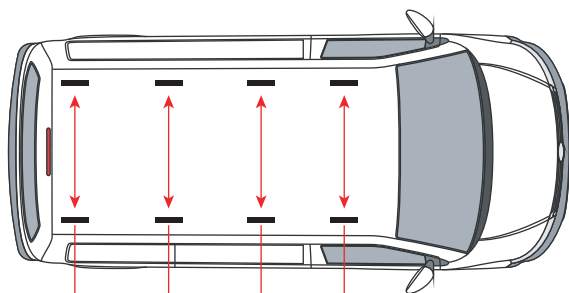
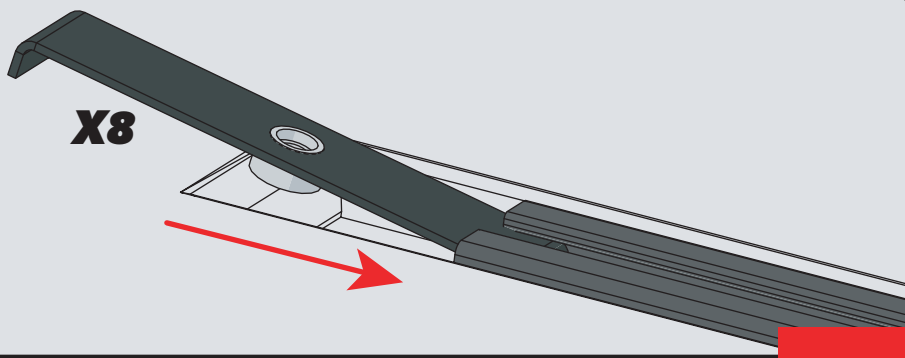
FX4026
(M6X20)



FX4012
(M6X16)



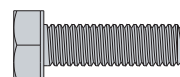
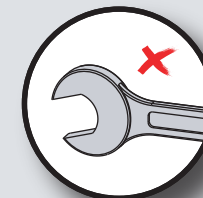
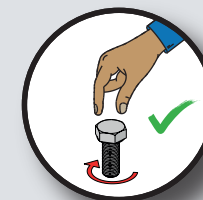
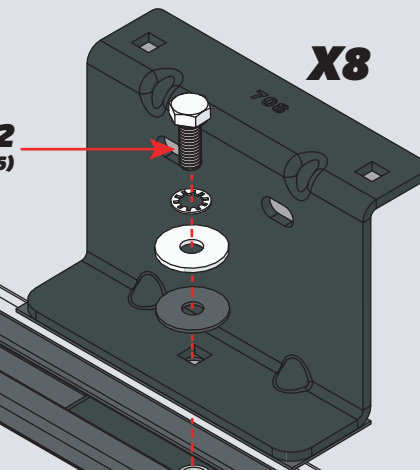
10



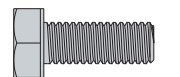
1020mm 800mm 640mm

11

FX4012
(M6X16)

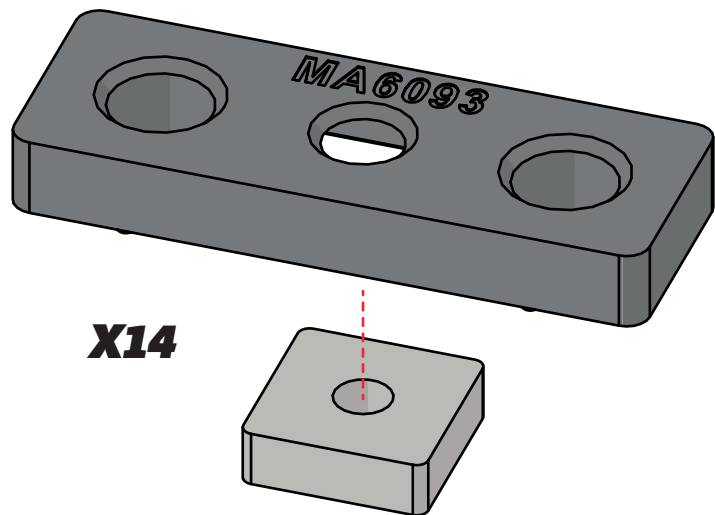
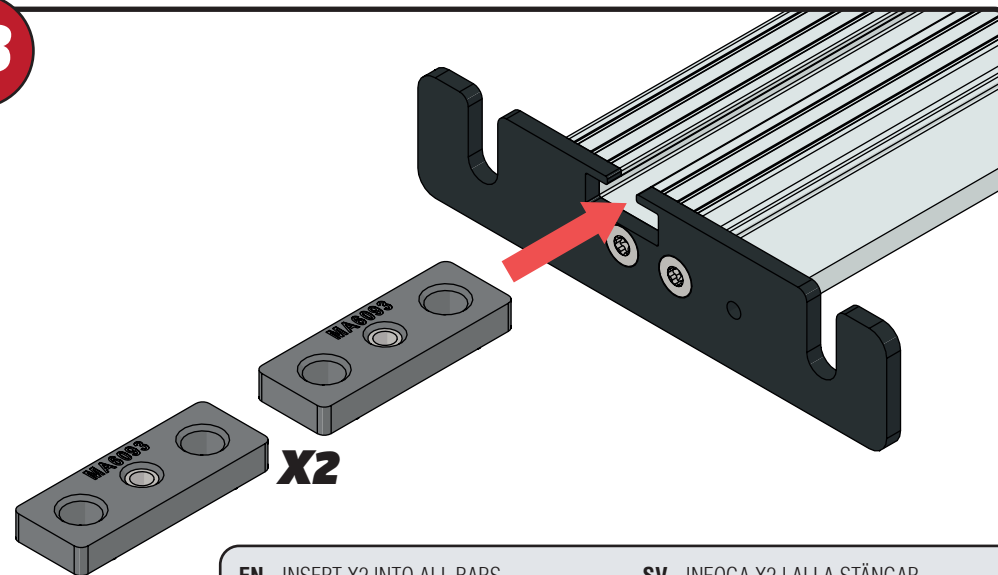
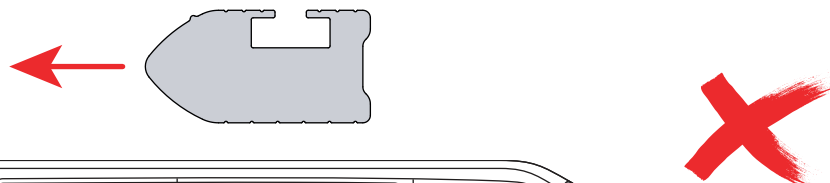
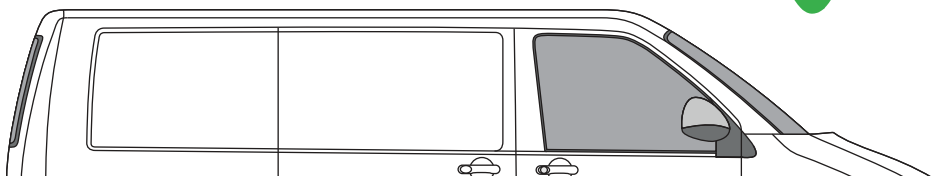
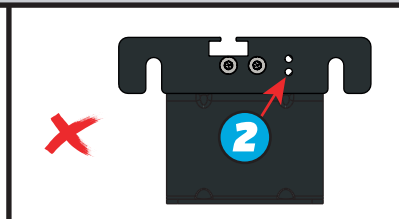
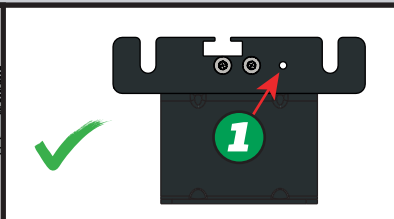
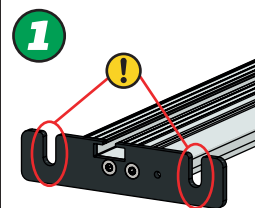
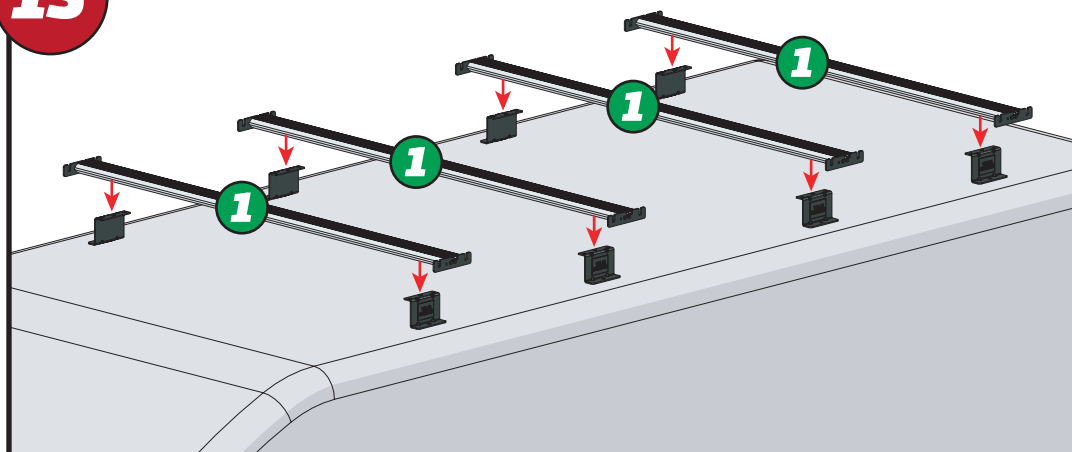


FX4026
(M6X20)

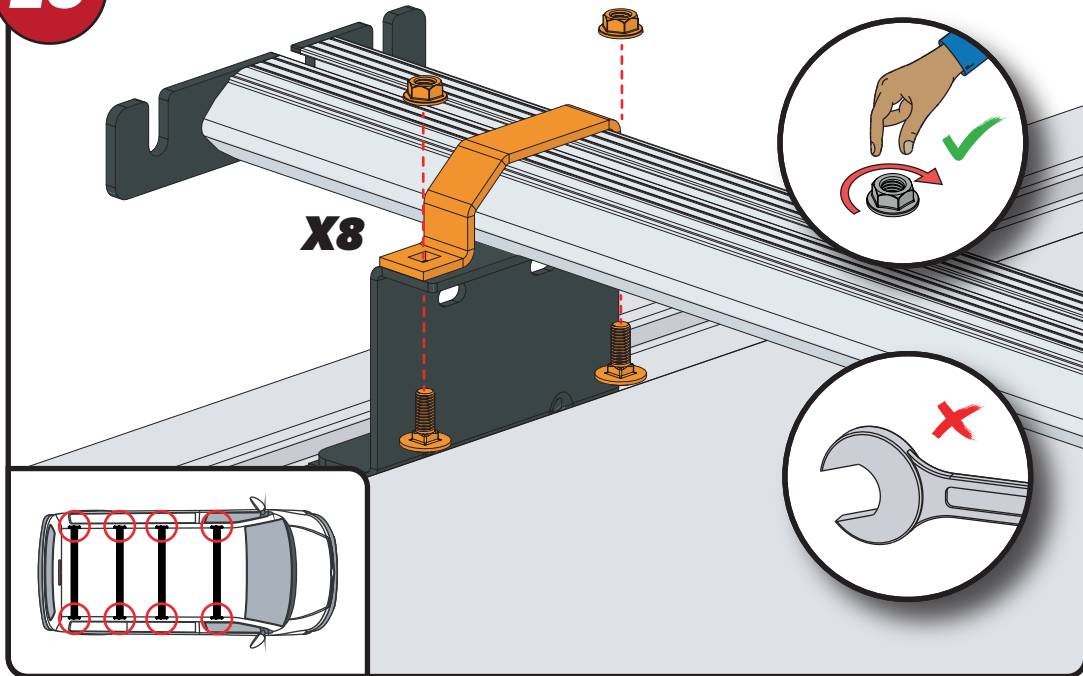


FX4012
(M6X16)

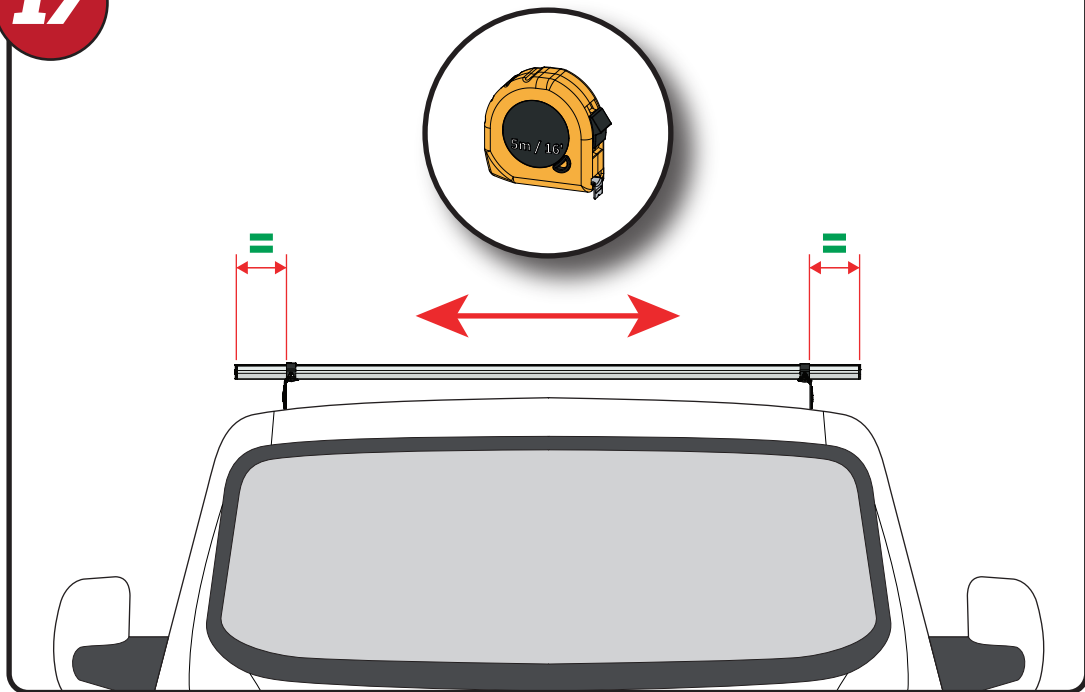


12**X14****13****X2****EN** - INSERT X2 INTO ALL BARS**DE** - X2 IN ALLE STANGEN EINFÜGEN**FR** - INSÉRER X2 DANS TOUTES LES BARRES**NL** - PLAATS X2 IN ALLE BARS**ES** - INSERTAR X2 EN TODAS LAS BARRAS**IT** - INSERIRE X2 IN TUTTE LE BARRE**SV** - INFOGA X2 I ALLA STÄNGAR**DA** - INDSÆT X2 I ALLE STÆNGER**NO** - SETT X2 INN I ALLE TAKSTENGER**PL** - WSTAW X2 DO WSZYSTKICH PRĘTÓW**CS** - VLOŽTE X2 DO VŠECH TYČÍ**14****15**

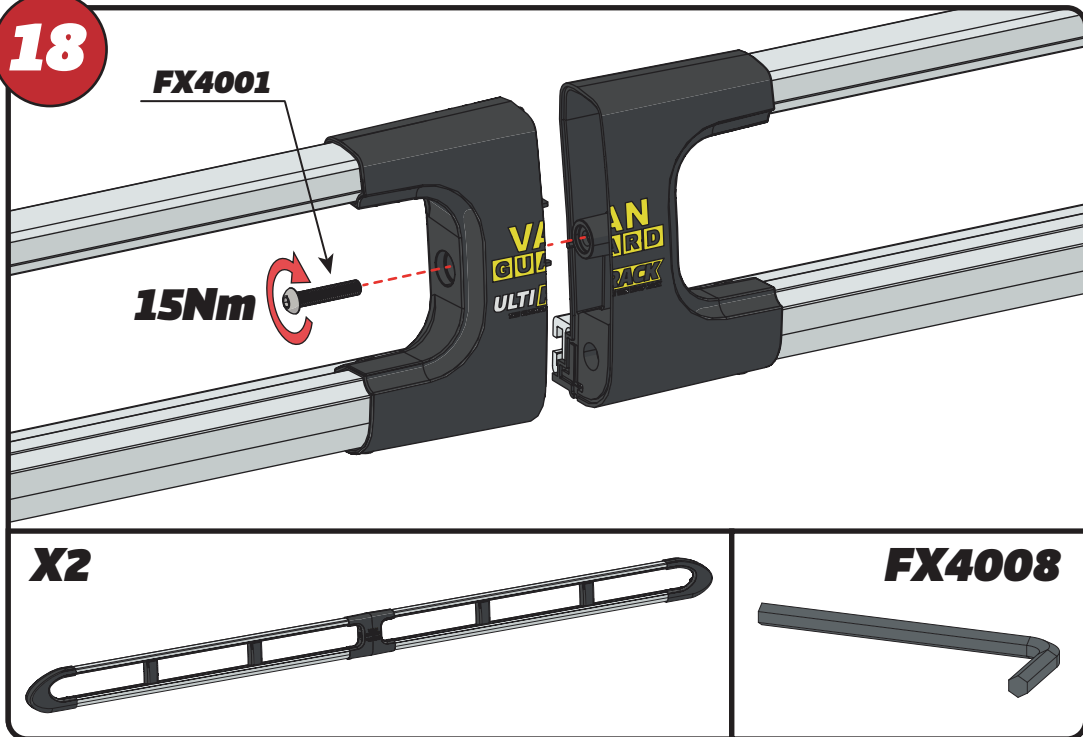
16



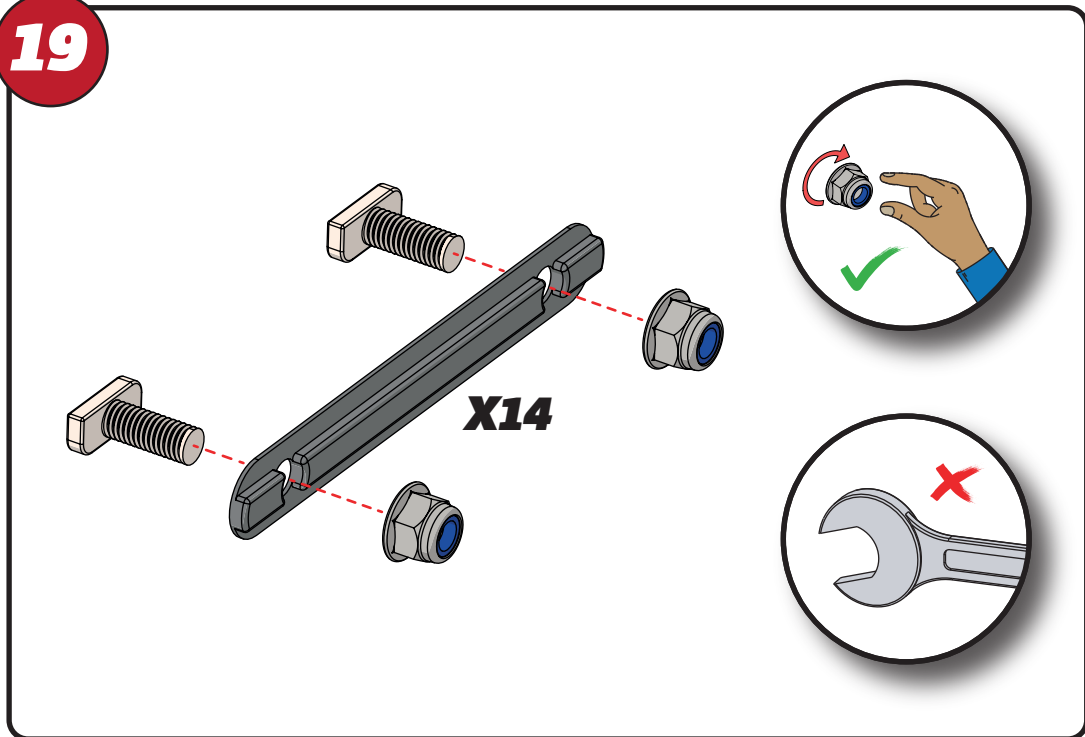
17



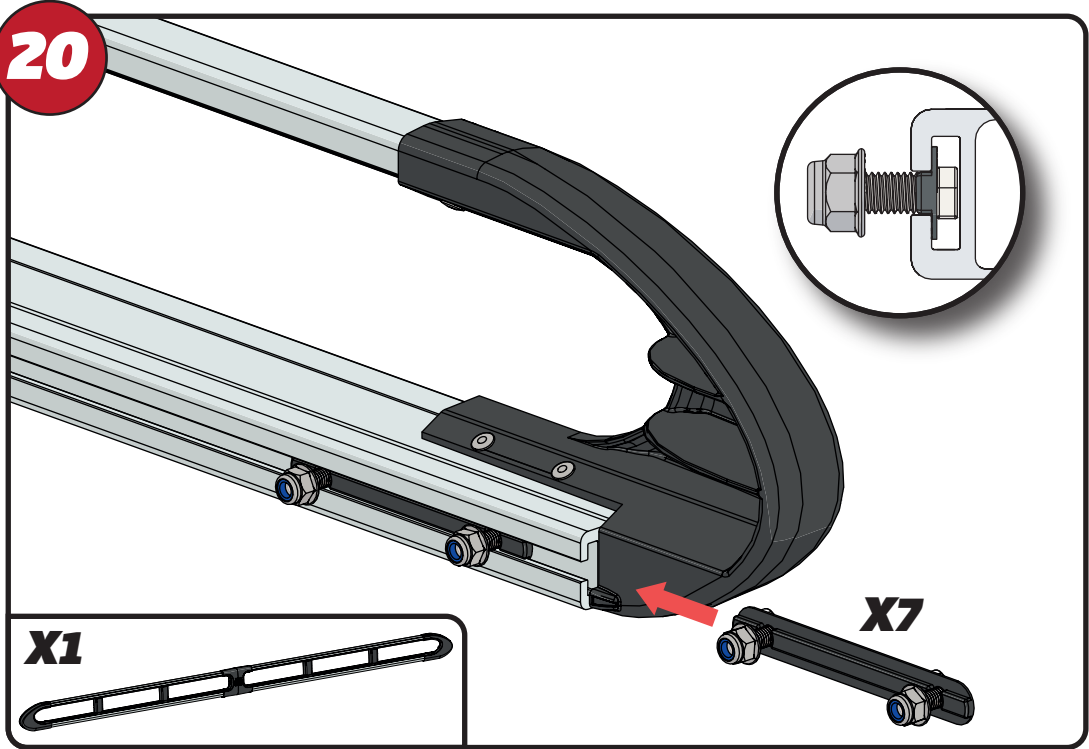
18



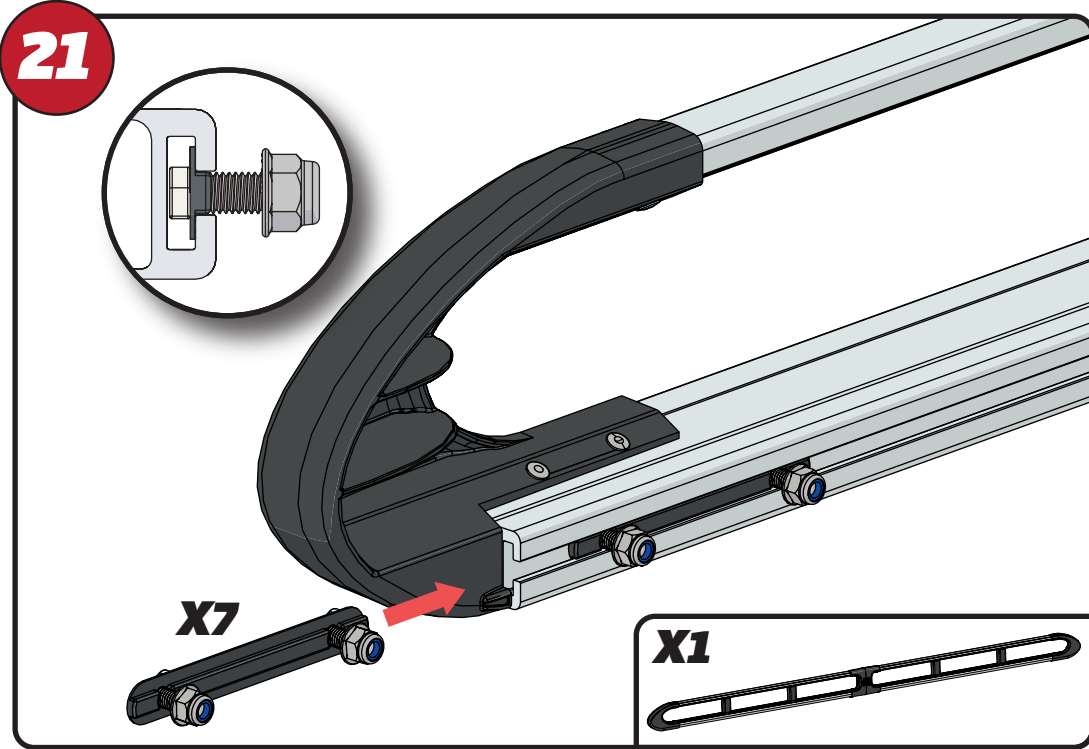
19



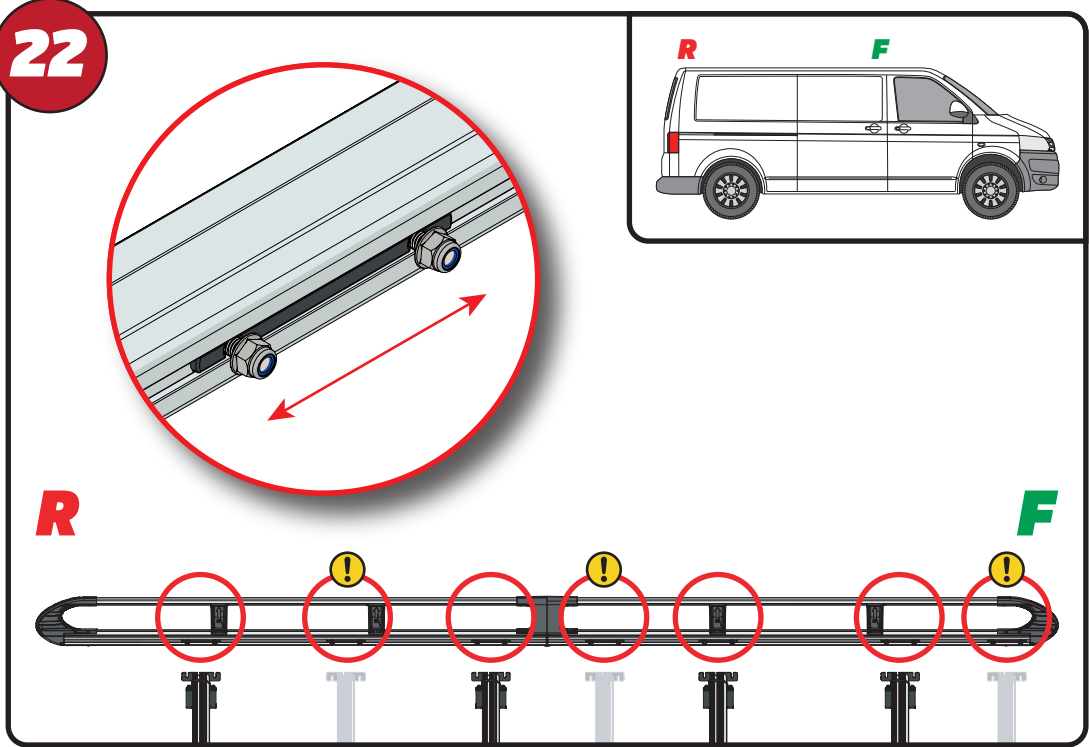
20



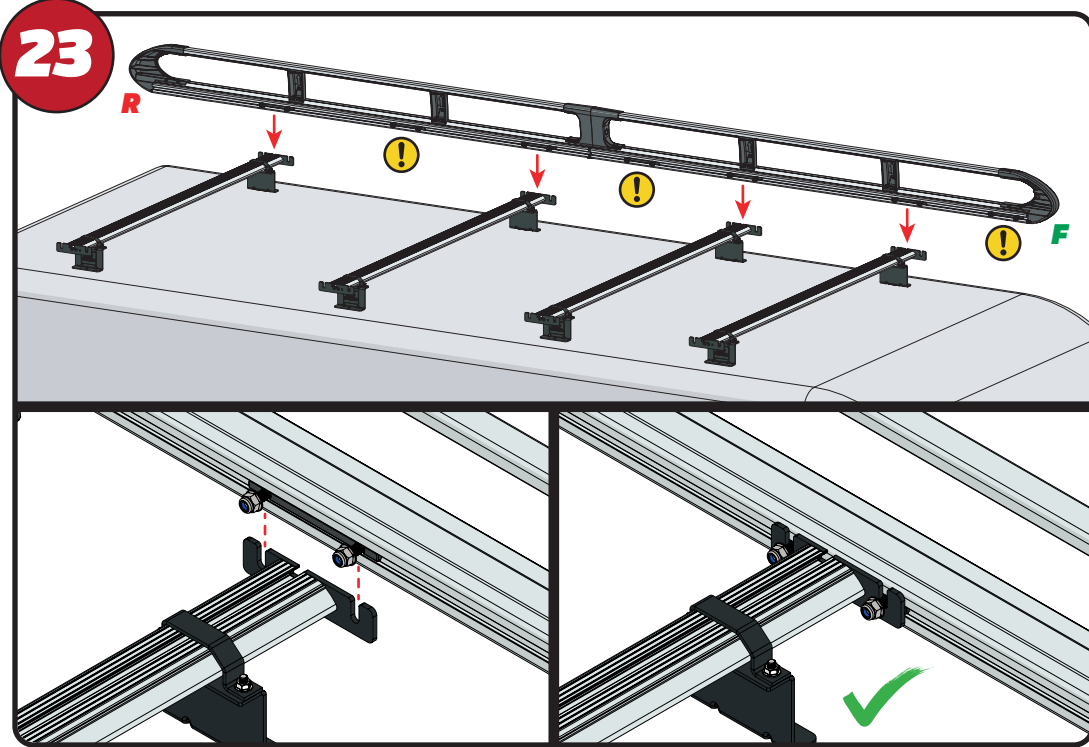
21



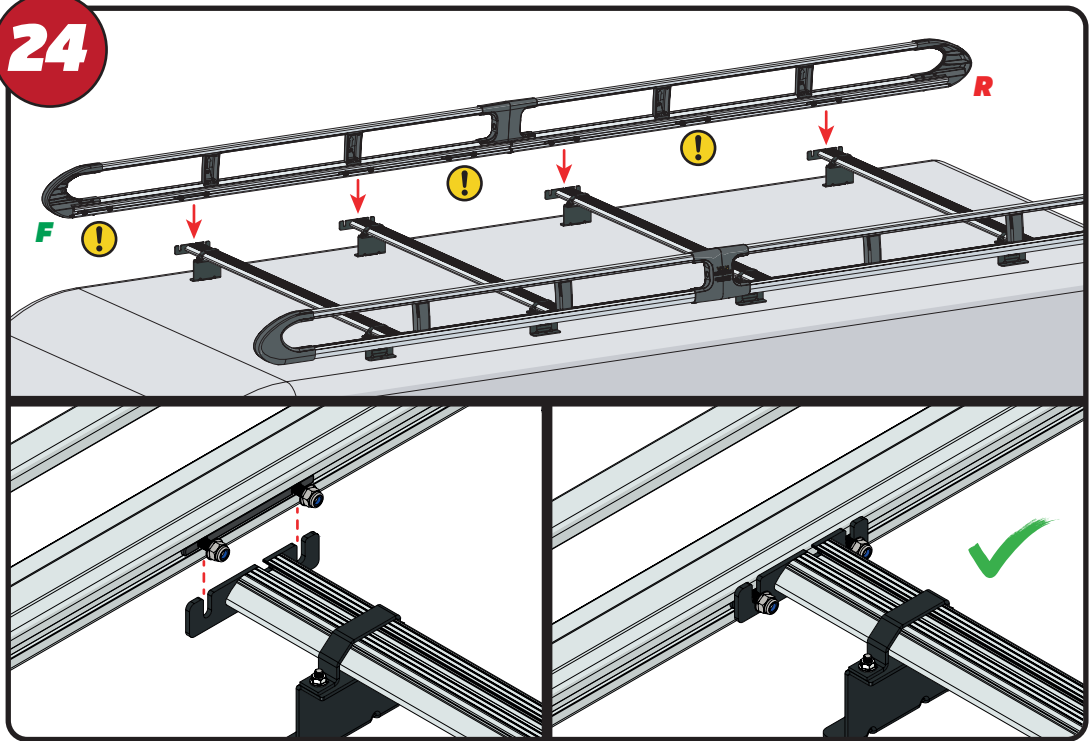
22



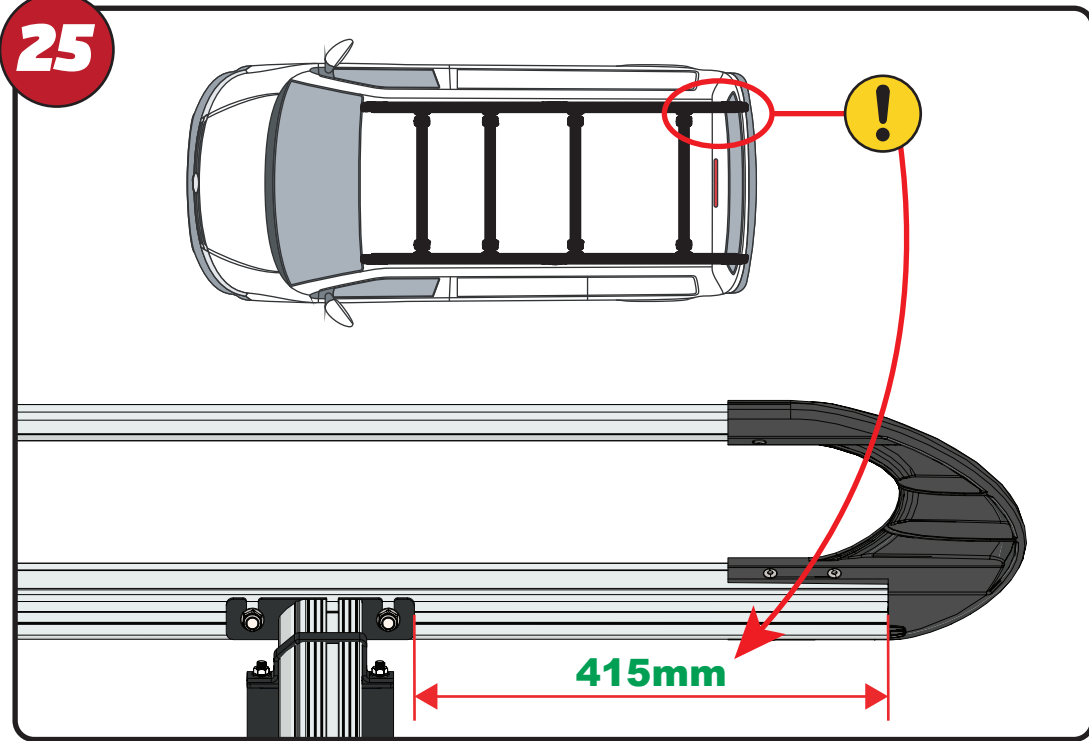
23



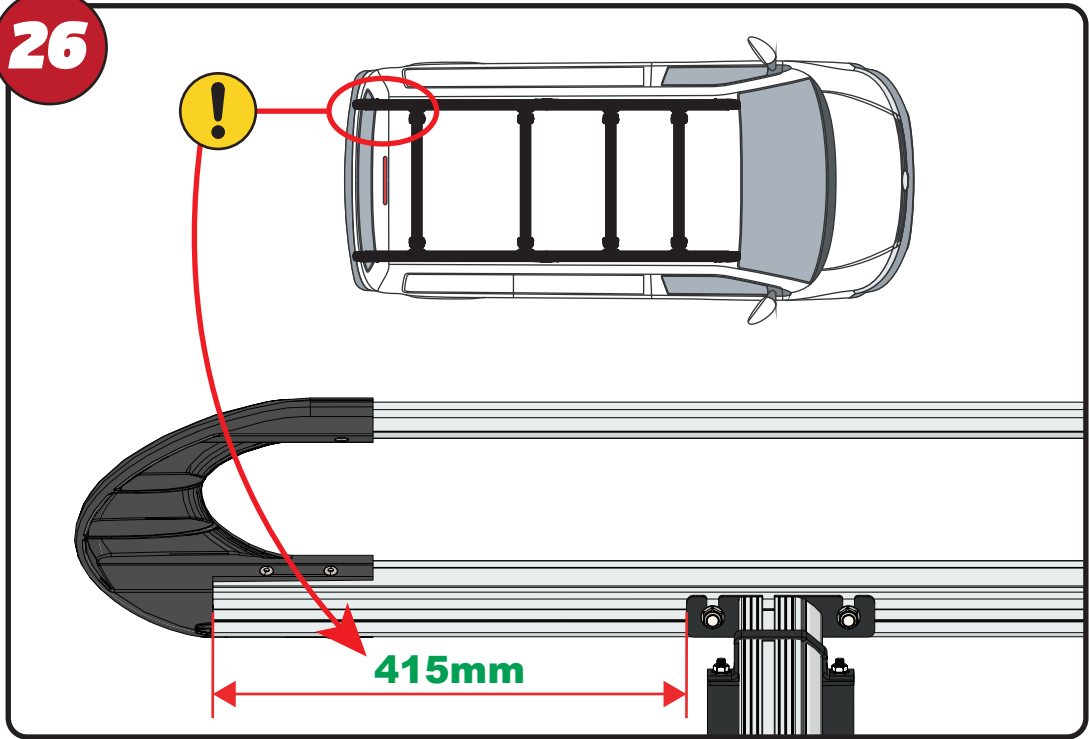
24



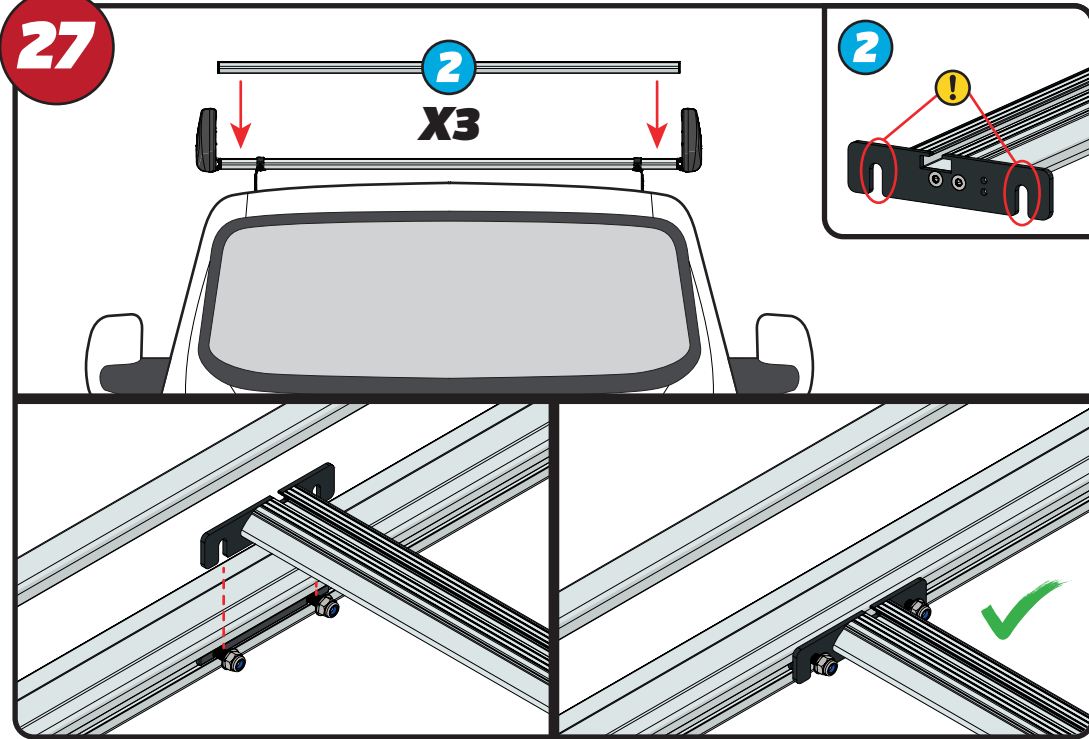
25



26

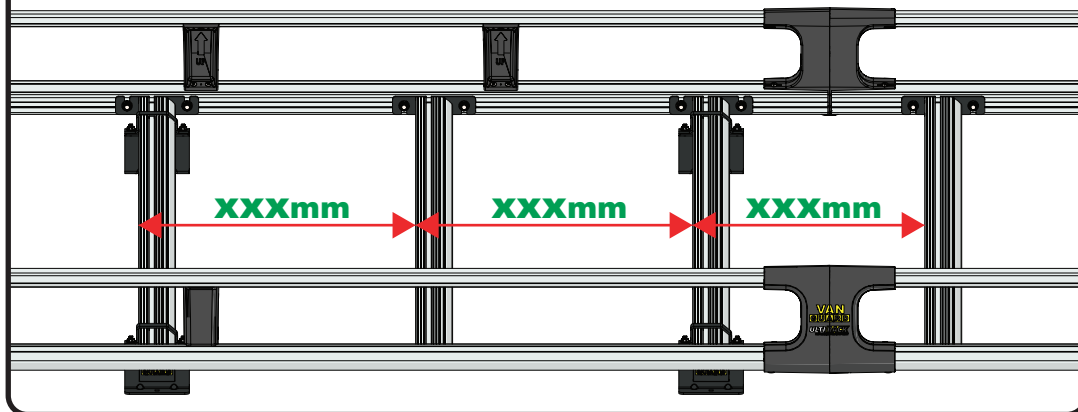
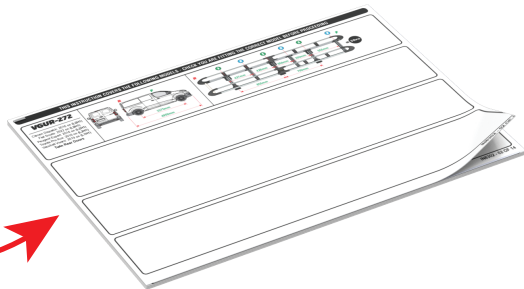
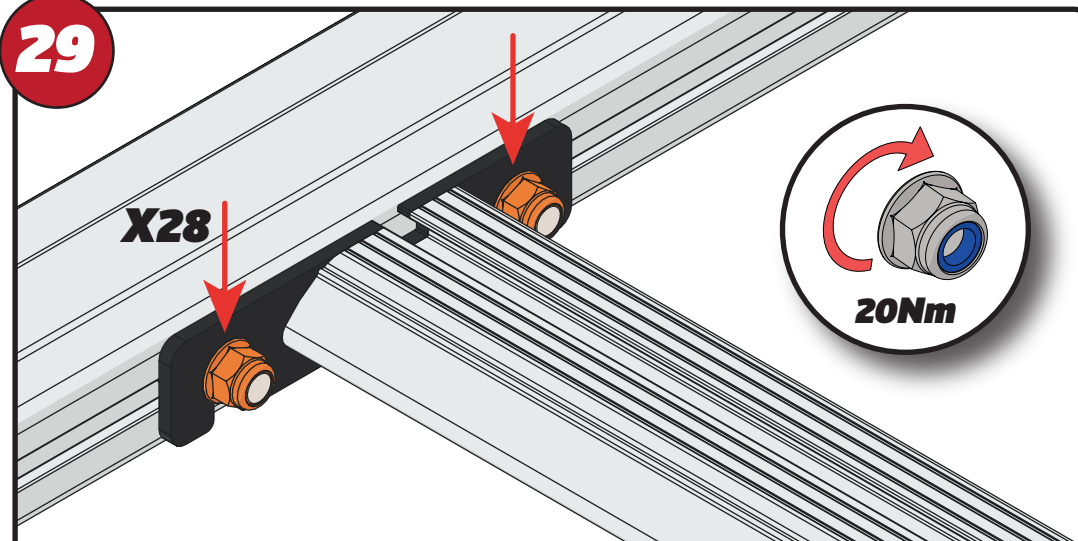


27



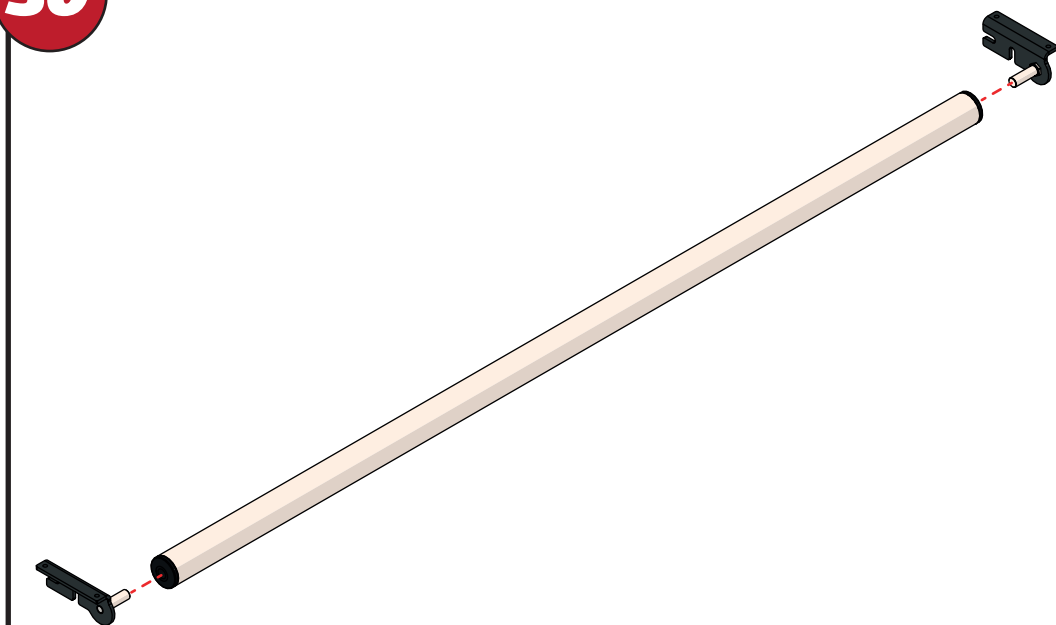
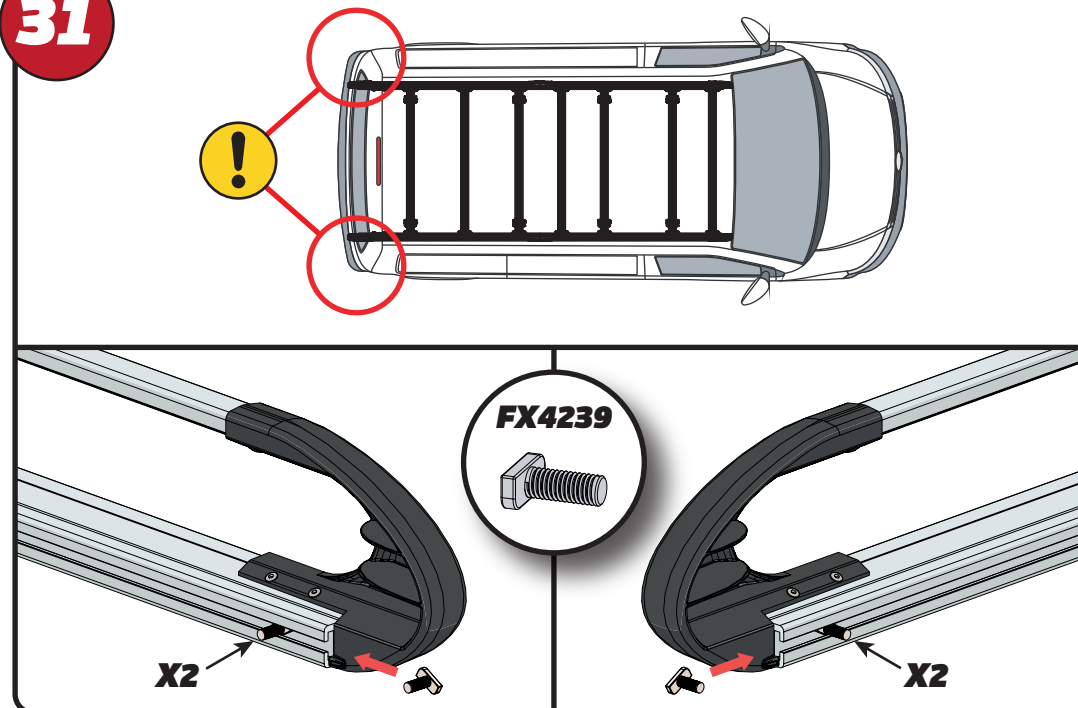
28

XXX =
PAGE 2 OF 15

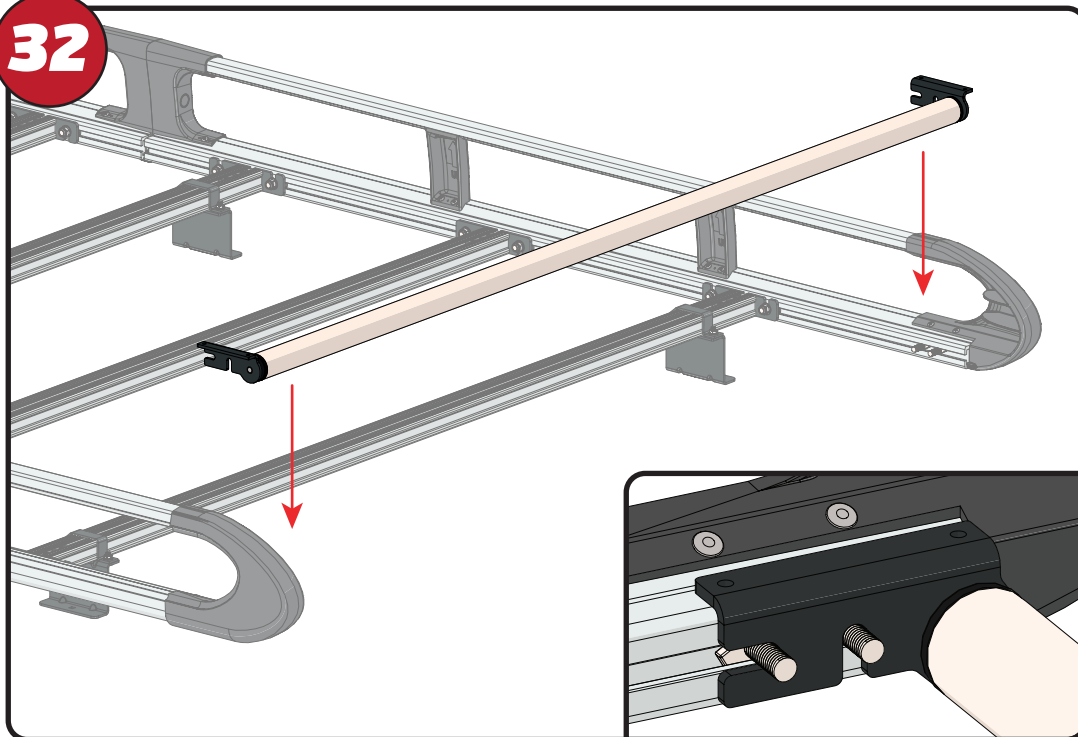
**29****X28****20Nm**

EN - TIGHTEN ALL OF THE CROSS BARS
DE - ALLE QUERSTANGEN FESTZIEHEN
FR - SERREZ TOUTES LES BARRES TRANSVERSALES
NL - DRAAI ALLE DWARSBALK VAN HET DAK AAN
ES - APRIETE TODAS LAS BARRAS TRANSVERSALES
IT - STRINGERE TUTTE LE BARRE TRASVERSALI

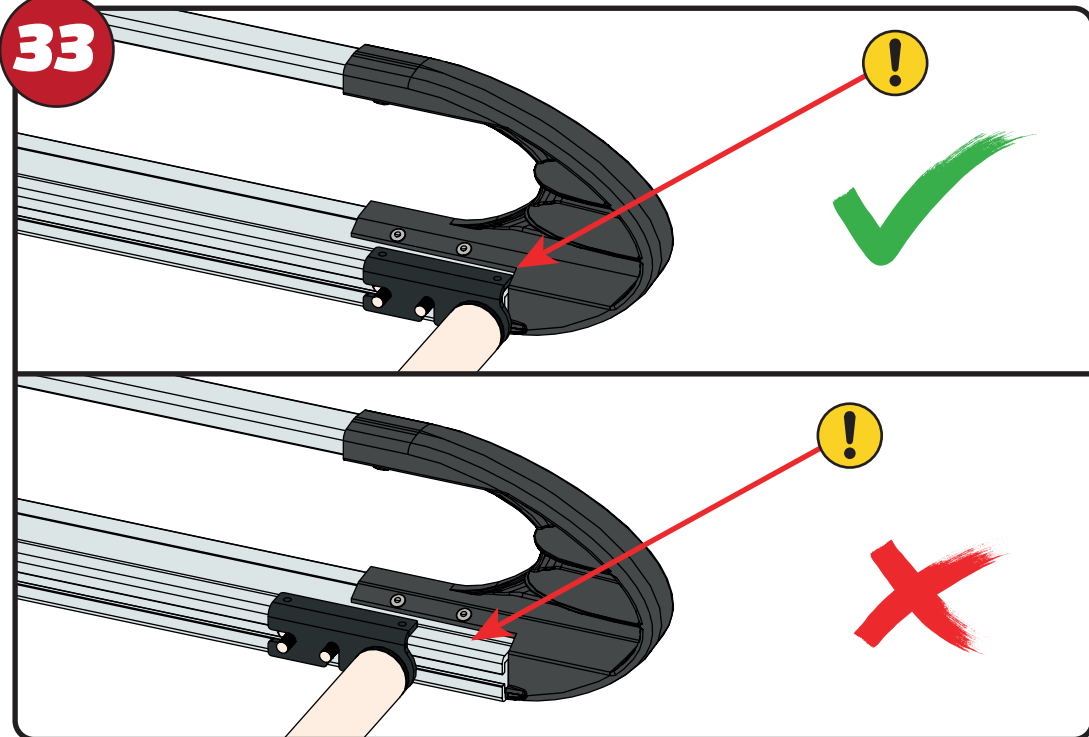
SV - SKRU UPP ALLA KORSSTANGAR
DA - SKRU ALLE TAGBØJLER OP
NO - SKRU OPP ALLE TVERRSTENGER
PL - DOKRĘCIĆ WSZYSTKIE POPRZECZKI
CS - VŠECHNY PŘÍČNÉ TYČE SEŠROUJTE

30**31****FX4239****X2****X2**

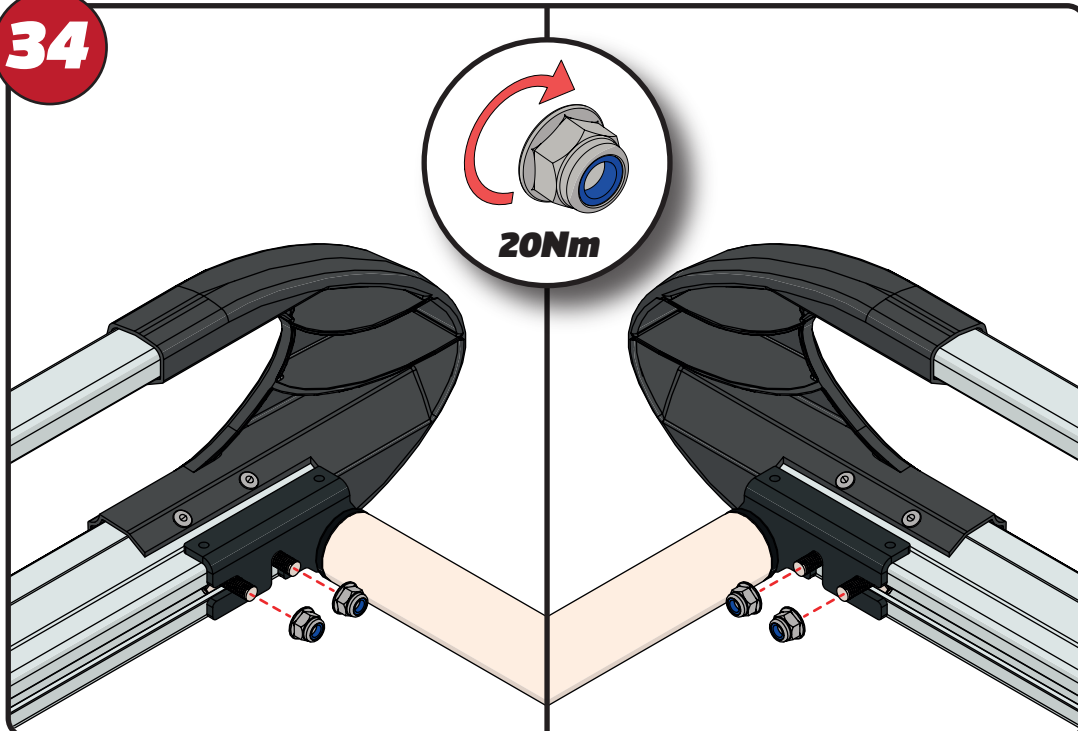
32



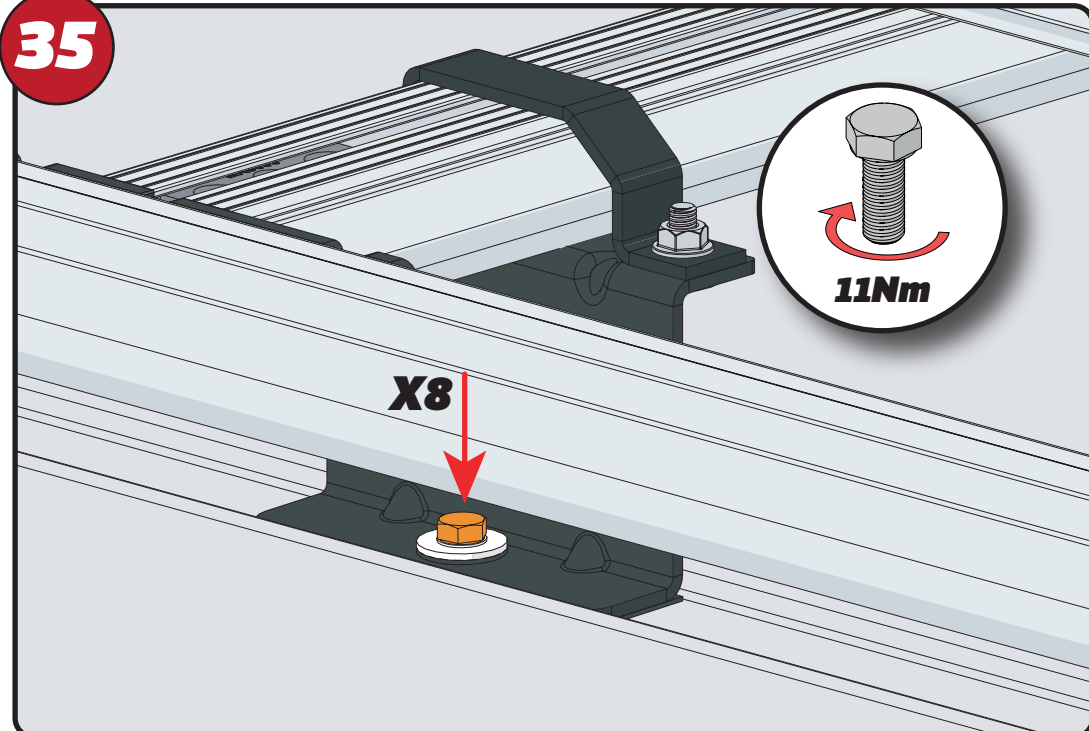
33



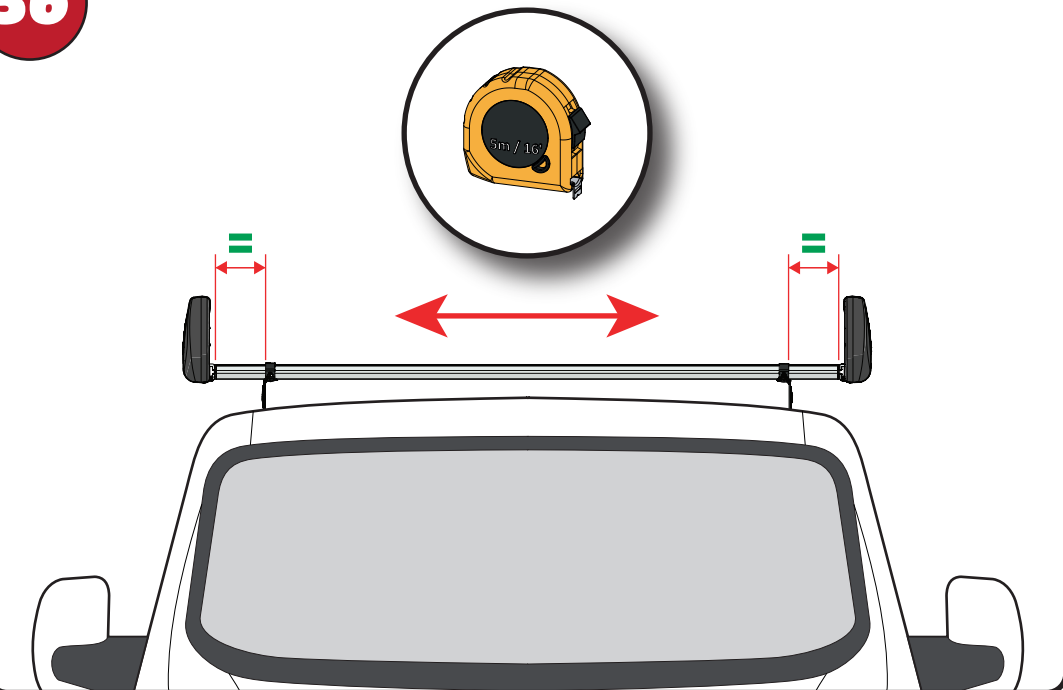
34



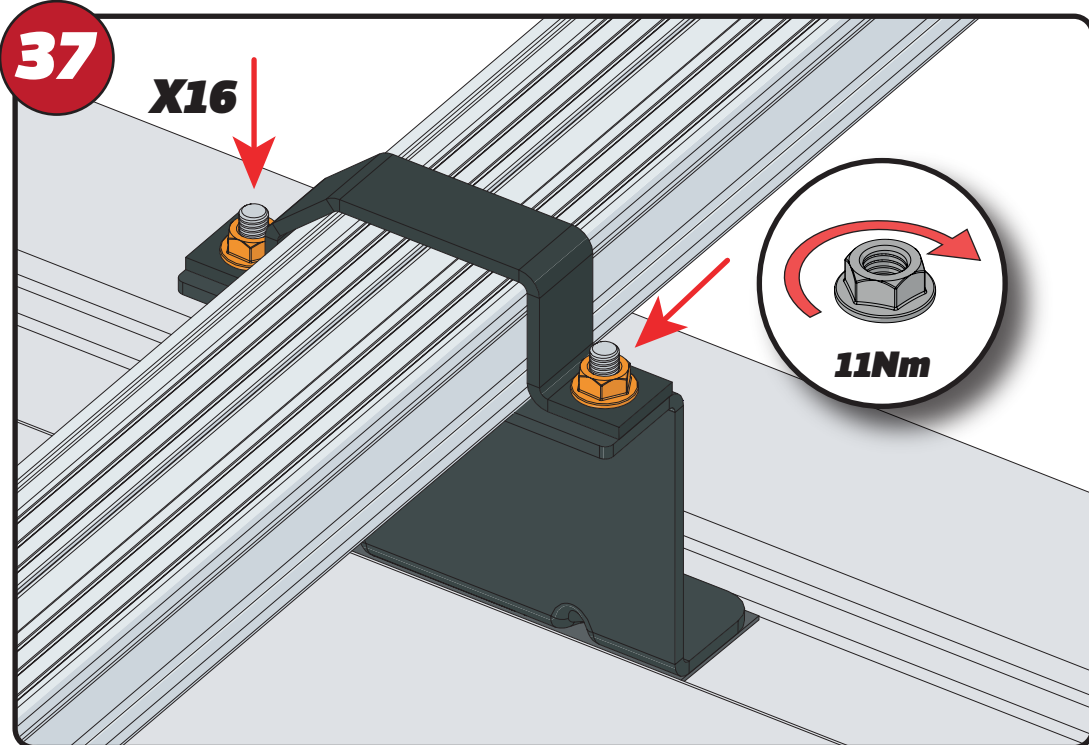
35



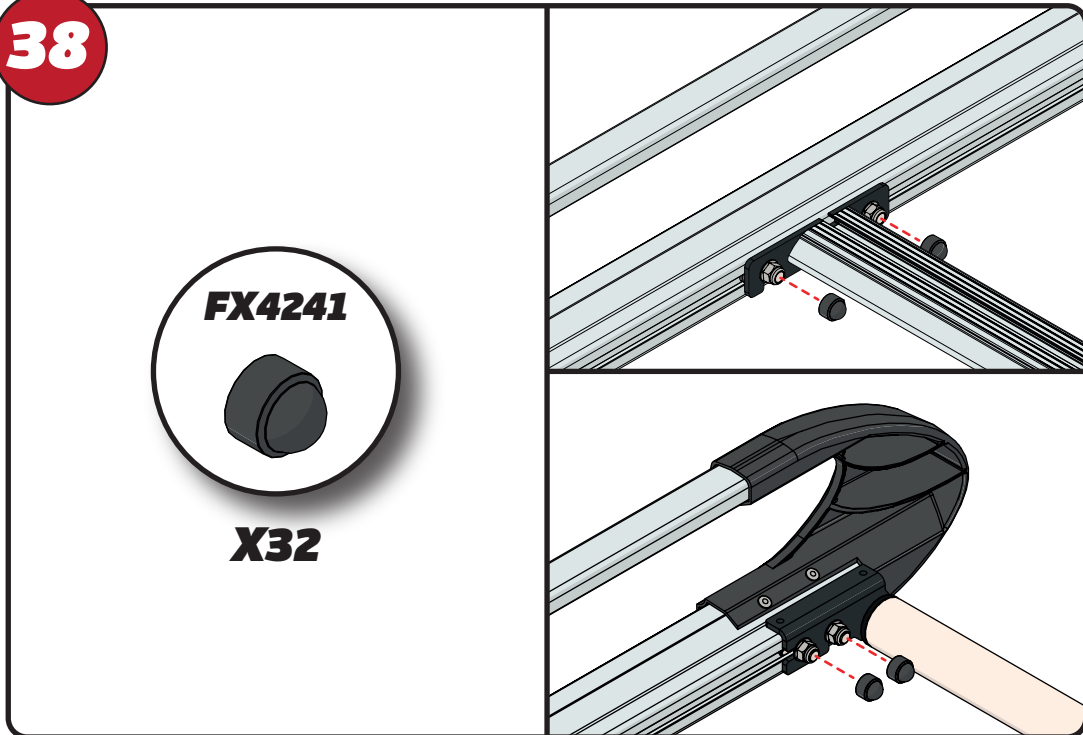
36



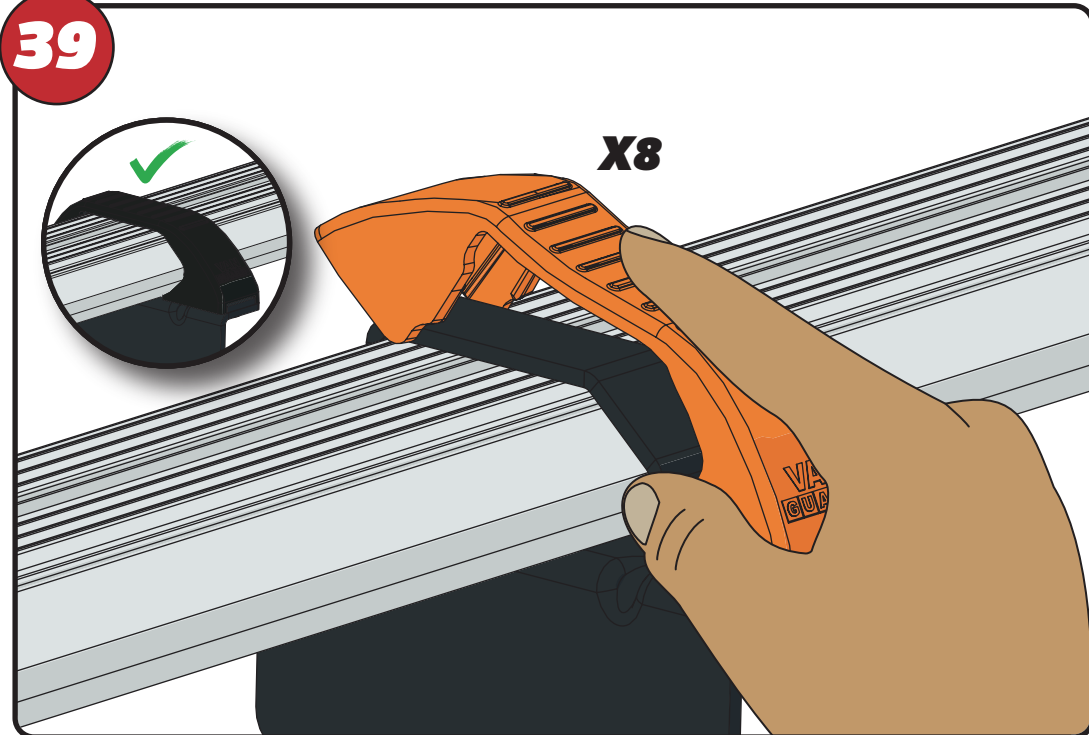
37



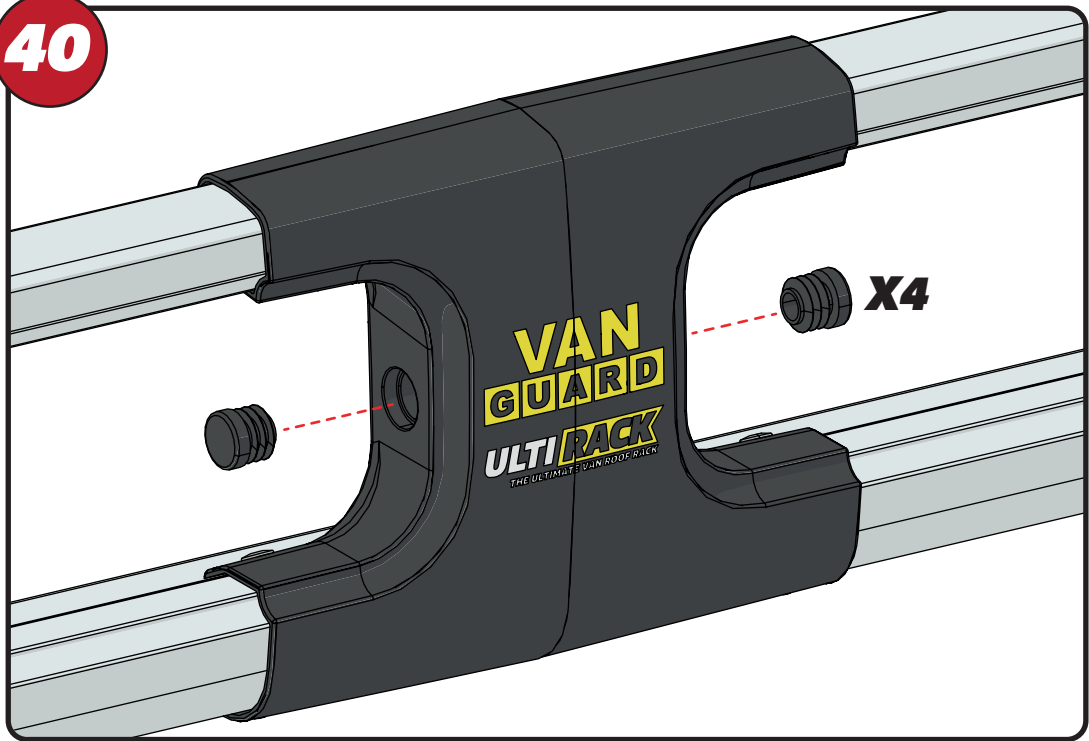
38



39



40



41

